

Daloc S54 (Y54) Archive security door RC4



Reference	Clear opening dimensions	Outer dimensions frame	Weight
Single door S54 10 x 21	900 x 2025	990 x 2093	150
<p>Other module sizes and special sizes are available on request.</p> <p>*At 90 degree opening door loss 93 mm from the clear opening.</p>			

Archive security door S 54 is a door suitable for use when the security and fire resistance requirements are high, while the door remains an integrated part of the surrounding environment. S 54 harmonises in appearance with our fire door S30 and security doors S 33 and S 63. The doors are suitable for environments containing valuable goods or confidential documents such as server rooms, data centres and institutions. The door is approved for installation both inwards and outwards opening.

CLASSIFICATIONS

The door type is tested by RISE Research Institutes of Sweden AB and certified by RISE Certifiering and SBSC Svensk Brand- och Säkerhetscertifiering AB. It is manufactured under the control of RISE and SBSC.

Fire rating: EI120

Sound reduction: Rw 38 dB, tillval 43 dB.

Fire gas seal: Option EN 13501-2 klass S_a*.

Burglar resistance class: EN 1627 RC4.

The door is approved for installation both inwards and outwards opening.

Corrosion class: C1-C3 according to EN ISO 12944-2

Doors for external use up to corrosion class C3 are recommended galvanized and ready painted from the factory with stainless steel threshold or in laminated steel panel with stainless steel threshold.

CE marking: SS-EN 14351-1.

CE-marked in accordance with the Building Products Directive and product standard for external doors EN 14351-1.

DOOR LEAF

Design: The door leaf is 105 mm thick, has a thick rolled seam edge, and consists of steel panels folded with concealed edge profiles at the door leaf edge. Bonded and riveted.

Material: 1 mm steel panels and mineral wool insulation.

Surface treatment: The door leaf is supplied pre-painted in one of our standard colours from factory or with wood patterned laminated steel panel from the standard range. Other NCS colours or wood patterns are available on request.

Doors for external use up to corrosion class C3 are recommended galvanized and pre-painted from the factory with stainless steel threshold or in laminated steel panel with stainless steel threshold.

FRAME

Design: The door is supplied as standard with white painted frame type 41, which forms an architrave on the opening face. The frame is supplied assembled, with no loose parts. The seal is placed in a groove in the frame. Several different types of frame are available: with architrave on the opening face (type 41), architrave on both sides (type 44-49) or without architrave (type 42).

Insulation: Supplied insulated with mineral wool from the factory

Installation: Quick installation and fixing through the frame's adjustable frame screws (Hexagonal key).

THRESHOLD

The frame is supplied with a galvanized bevelled threshold bar. The door is available for order with threshold plate combined with drop strip (sound reduction 38dB) or threshold plate, brush strip (not tested for sound reduction).

STANDARD FITTINGS

Multi point lock Assa 510 excl cylinder and 90001 (locking opening face for 90001). Note! S54 requires a cylinder in accordance with 3522 class 3, A=105, B=33 mm from opening face to centre of lock case. Galvanized adjustable fixed pin hinges. Security bolt in striking plate and five dog bolt pins to hinge edge. S 54 has integrated drilling protection for both locks. A/B measurements apply only to Assa Connect and Assa Module locks, as regards to other locks please contact Daloc.

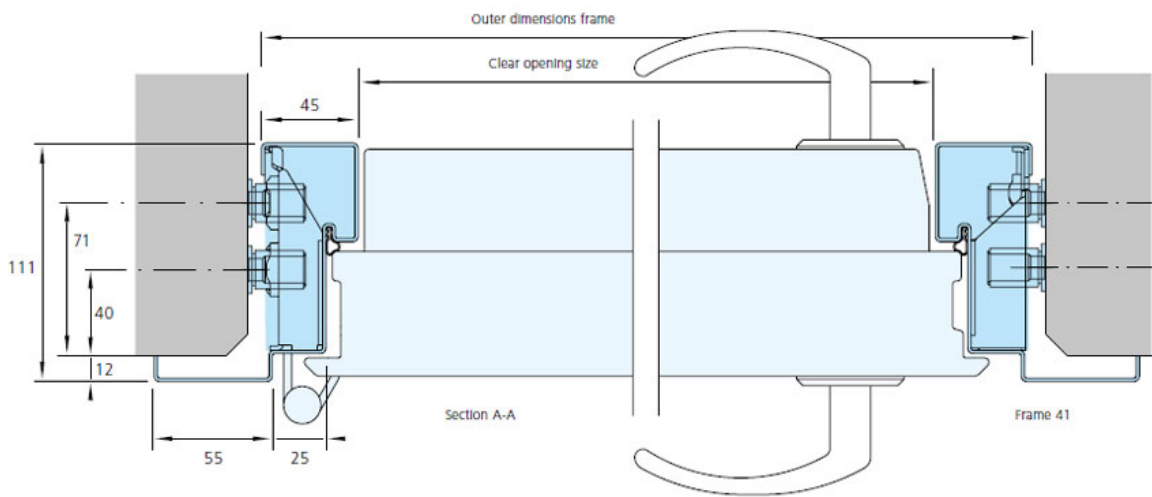
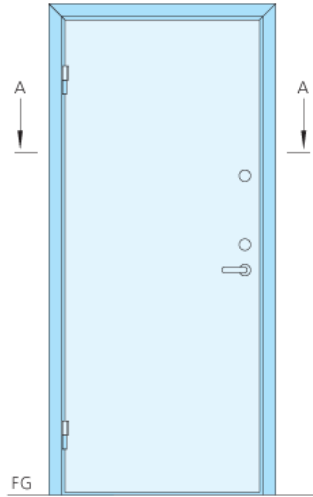
OPTIONAL COMPONENTS

Can be supplied with Daloc Linea pattern, kick plate, door closer, magnetic contact, bolt contact etc.

When positioning in a location exposed to wind, a door brake is recommended. For inwards opening doors that are exposed to rain, a water deflector at the lower edge is recommended. For outward opening doors that do not have any rain protection, a water deflector on the top edge is recommended.

We reserve the right to make modifications to the designs.

DETAIL SKETCHES



PICTURES



Multi point lock with hooks in upper and lower edges.



Diagonal edge seam gives a contemporary and sophisticated appearance.



Hardened dog bolt pins to hinge edge and hinges with tamper proof pins increase security.