

Daloc S63 (Y63) Security Door RC4



Daloc S63 is the perfect door for environments where the aesthetic and the security requirements are equally high. Shops, computer rooms, surgeries and other areas containing valuable goods are a few examples of its application.

Reference	Clear opening dimensions	Outer dimensions frame	Weight
Single door			
S63 9 x 21	800 x 2025	890 x 2093	95
S63 10 x 21	900 x 2025	990 x 2093	104
S63 11 x 21	1000 x 2025	1090 x 2093	114
S63 12 x 21 **	1100 x 2025	1190 x 2093	123
Double door			
S63 15 x 21	1400 x 2025	1490 x 2093	150
S63 18 x 21	1700 x 2025	1790 x 2093	177
Other module sizes and special sizes are available on request.			
*At 90 degree opening door loss 45 mm from the clear opening.			
**Only painted doors.			

CLASSIFICATIONS

The door type is tested by RISE Research Institutes of Sweden AB and certified by RISE Certifiering and SBSC Svensk Brand- och Säkerhetscertifiering AB. It is manufactured under the control of RISE and SBSC.

Fire rating: A60, option EI30.

Sound reduction: Rw 33dB*, 38dB**, option 43dB**.

* Double leaf doors only.

** Single leaf doors only.

Burglar resistance class: EN 1627 RC4.

The door is approved for installation both inwards and outwards opening.

Fire gas seal: Option EN 13501-2 klass S_a och S₂₀₀.

Corrosion class: C1-C3 according to EN ISO 12944-2

Doors for external use up to corrosion class C3 are recommended galvanized and ready painted from the factory with stainless steel threshold or in laminated steel panel with stainless steel threshold.

CE marking: SS-EN 14351-1.

CE-marked in accordance with the Building Products Directive and product standard for external doors EN 14351-1.

DOOR LEAF

Design: The door leaf is 58 mm thick, has a thick rolled seam edge, and consists of steel panels folded with concealed edge profiles at the door leaf edge. Bonded and riveted.

Material: 1 mm steel panels and mineral wool insulation.

Surface treatment: The door leaf is supplied pre-painted in one of our standard colours from factory or with wood patterned laminated steel panel from the standard range. Other NCS colours or wood patterns are available on request.

Doors for external use up to corrosion class C3 are recommended galvanized and pre-painted from the factory with stainless steel threshold or in laminated steel panel with stainless steel threshold.

FRAME

Design: The door is supplied as standard with white painted frame type 41, which forms an architrave on the opening face. The frame is supplied assembled, with no loose parts. The seal is placed in a groove in the frame. Several different types of frame are available: with architrave on the opening face (type 41), architrave on both sides (type 44-49) or without architrave (type 42).

Insulation: Supplied insulated with mineral wool from the factory

Installation: Quick installation and fixing through the frame's adjustable frame screws (Hexagonal key).

THRESHOLD

The door is supplied as standard with a galvanized threshold bar. Can be ordered with threshold plate combined with drop strip (sound reduction 38 dB) or threshold plate, brush strip or drop seal threshold (not tested for sound reduction). It can also be fitted with an oak thresholds bar (fire rating EI30).

STANDARD FITTINGS

Lock case Assa 510 and 511. Note! Daloc S 63 requires a round double cylinder on both locks. A=58 mm, B=33/24 mm single door/double door at outward opening door, from opening face to centre of lock case. Galvanized adjustable fixed pin hinges. Security bolt in striking plate and five dog bolt pins to hinge edge. A/B measurements apply only to Assa Connect and Assa Module locks, as regards to other locks please contact Daloc.

OPTIONAL COMPONENTS

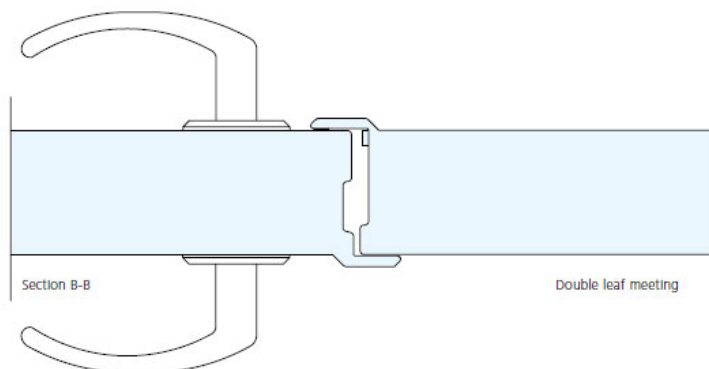
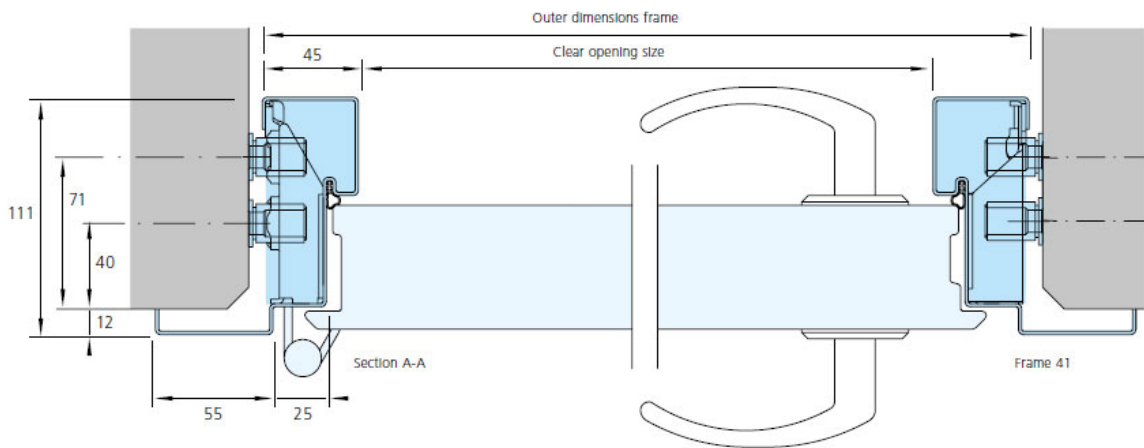
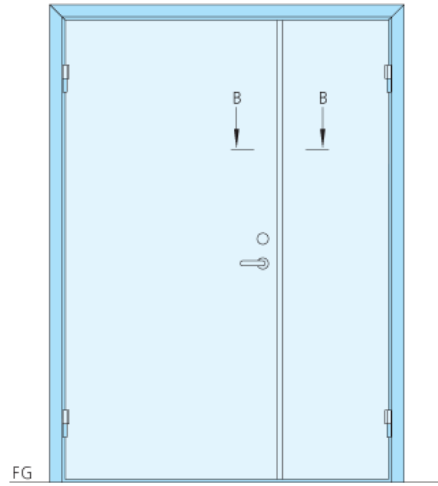
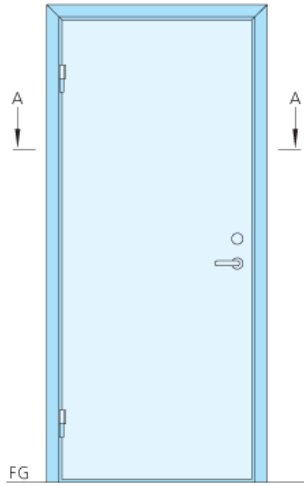
Can be supplied with Daloc Linea pattern, door viewer, kick plate, door closer, electric striking plate, magnetic contact, motorised and microlocks etc. S63 can also be equipped for EMI protection. When positioning in a location exposed to wind, a door brake is recommended. For inwards opening doors that are exposed to rain, a water deflector at the lower edge is recommended. For outward opening doors that do not have any rain protection, a water deflector on the top edge is recommended.

DOUBLE LEAF DOORS

The door leaves and frame are manufactured in the same way as the single leaf door. The passive leaf has an astragal strip and is fitted with two recessed flush bolts as standard. Both door leaves have four dog bolt pins in the edge.

We reserve the right to make modifications to the designs.

DETAIL SKETCHES



PICTURES



Frame screws facilitate fast and secure installation.



Lock case Assa 510.



The door leaf is bonded without a visible panel edge and with a bevelled rolled edge.