

Daloc S30 (Y30) Steel door



Reference	Clear opening dimensions	Outer dimensions frame	Weight
Single door			
S30 9 x 21	800 x 2025	890 x 2093	70
S30 10 x 21	900 x 2025	990 x 2093	75
S30 11 x 21	1000 x 2025	1090 x 2093	80
S30 12 x 21 **	1100 x 2025	1190 x 2093	85
S30 13 x 21 **	1200 x 2025	1290 x 2093	90
Double door			
S30 15 x 21	1400 x 2025	1490 x 2093	110
S30 18 x 21	1700 x 2025	1790 x 2093	125
S30 18 x 24	1700 x 2325	1790 x 2393	150
S30 21 x 24	2000 x 2325	2090 x 2393	170

Daloc S30 is a common door in shops, hospitals and service buildings, hotels and offices because of its form and high sound reduction and fire resistance. It harmonises in appearance with security doors Daloc S33, Daloc S43 and Daloc S44 for apartments and can be used together with them.

Other module sizes and special sizes are available on request.

*At 90 degree opening door loss 45 mm from the clear opening.

**Only painted doors.

CLASSIFICATIONS

The door type is tested by RISE Research Institutes of Sweden AB and certified by RISE Certifiering. It is manufactured under the control of RISE.

Fire rating: A60 option EI30 and A120.

Sound reduction: Rw 33 dB, option 38, 43, 48*, 50*, 53** dB.

*Single leaf door.

**Manufactured as tandem door.

Fire gas seal: Option EN 13501-2 klass S_a och S₂₀₀.

Corrosion class: C1-C4 according to EN ISO 12944-2

Doors for external use up to corrosion class C3 are recommended galvanized and ready painted from the factory with stainless steel threshold or in laminated steel panel with stainless steel threshold. Doors for use in corrosion class C4 are recommended in stainless steel.

CE marking: SS-EN 14351-1.

CE-marked in accordance with the Building Products Directive and product standard for external doors EN 14351-1.

DOOR LEAF

Design: The door leaf is 58 mm thick, has a thick rolled seam edge, and consists of steel panels folded with concealed edge profiles at the door leaf edge. Bonded and riveted.

Material: 1 mm steel panels and mineral wool insulation.

Surface treatment: The door leaf is supplied pre-painted in one of our standard colours from factory or with wood patterned laminated steel panel from the standard range. Other NCS colours or wood patterns are available on request.

Doors for external use up to corrosion class C3 are recommended galvanized and pre-painted from the factory with stainless steel threshold or in laminated steel panel with stainless steel threshold. Doors for use in corrosion class C4 are recommended in stainless steel. In the stainless steel version, visible exposed stainless steel surfaces EN 1.4301 (previously SS 2333) and other internal details are primarily galvanized.

FRAME

Design: The door is supplied as standard with white painted frame type 41, which forms an architrave on the opening face. The frame is supplied assembled, with no loose parts. The seal is placed in a groove in the frame. Several different types of frame are available: with architrave on the opening face (type 41), architrave on both sides (type 44-49) or without architrave (type 42). In the stainless steel version, visible exposed stainless steel surfaces EN 1.4301 (previously SS 2333) and other internal details are primarily galvanized.

Insulation: Supplied insulated with mineral wool from the factory

Installation: Quick installation and fixing through the frame's adjustable frame screws (Hexagonal key).

THRESHOLD

The door is supplied with a galvanized bevelled threshold bar. Can be ordered with threshold plate combined with drop strip (sound reduction Rw 38dB) or threshold plate, brush strip or drop seal threshold (not tested for sound reduction). It can also be fitted with hardwood thresholds (fire rating EI30).

STANDARD FITTINGS

Lock case Assa 310 (A=58 mm, B=33/24 mm single door/double door at outward opening door). Galvanized fixed pin hinges. Dog bolts in the rear edge. Internal reinforcement for door closer. A/B measurements apply only to Assa Connect and Assa Module locks, as regards to other locks please contact Daloc.

OPTIONAL COMPONENTS

Can be supplied with Daloc Linea pattern, glass opening, kick plate, ventilation grille (fire rating EI15 in refuse room version), door closer, electric striking plate, magnetic contact, motorised and microlocks, bolt contact etc.

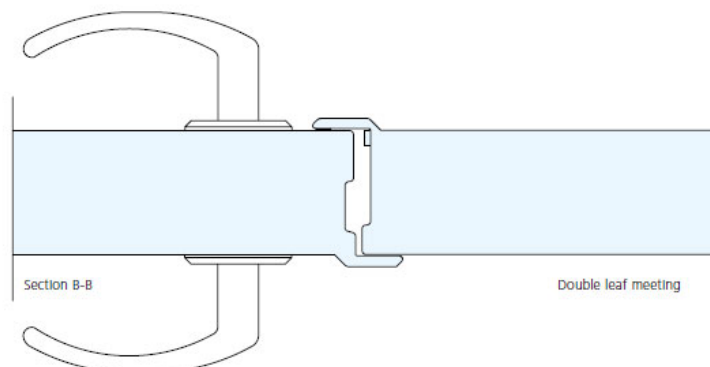
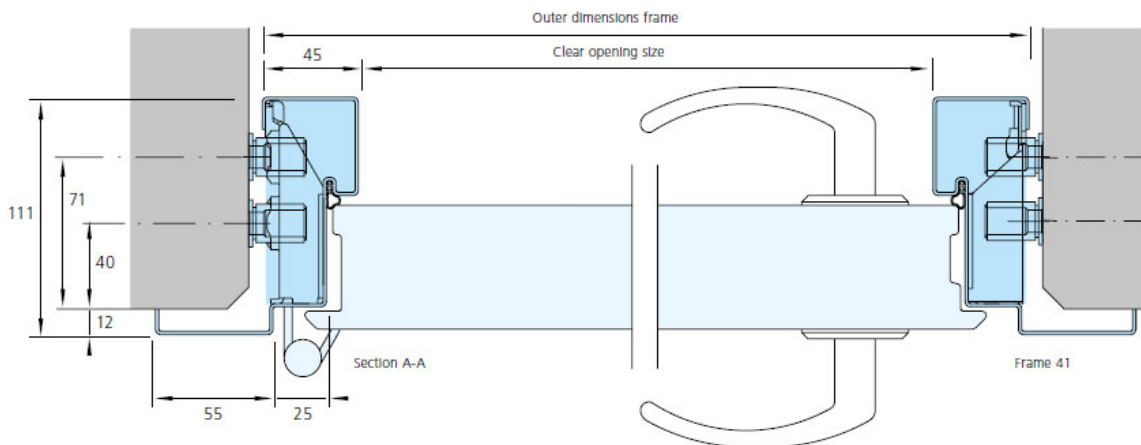
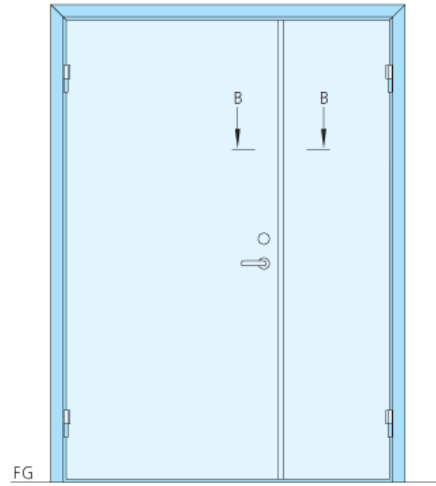
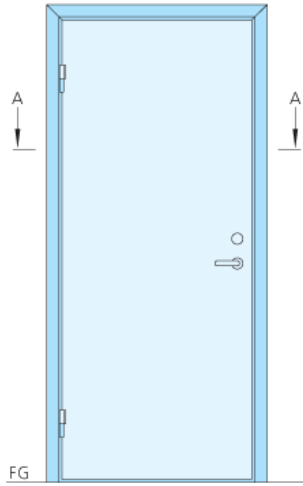
When positioning in a location exposed to wind, a door brake is recommended. For inwards opening doors that are exposed to rain, a water deflector at the lower edge is recommended. For outward opening doors that do not have any rain protection, a water deflector on the top edge is recommended.

DOUBLE LEAF DOORS

The door leaves and frame are manufactured in the same way as the single leaf door. The inactive leaf has an astragal strip and is fitted as standard with two recessed bolts.

We reserve the right to make modifications to the designs.

DETAIL SKETCHES



PICTURES



The bevelled rolled edge gives a contemporary and sophisticated appearance



Parbladsmöte med integrerat anslag.



Quick installation and fixing through the frame's adjustable frame screws.