

Daloc S33 (Y33) Security door RC3



Daloc S33 is the perfect door for environments where the aesthetic and security requirements are equally high. Hotels, offices, apartments, surgeries and other areas containing valuable goods are a few examples of its application.

Reference	Clear opening dimensions	Outer dimensions frame	Weight
Single door			
S33 9 x 21	800 x 2025	890 x 2093	88
S33 10 x 21	900 x 2025	990 x 2093	93
S33 11 x 21	1000 x 2025	1090 x 2093	103
S33 12 x 21 **	1100 x 2025	1190 x 2093	113
Double door			
S33 15 x 21	1400 x 2025	1490 x 2093	130
S33 18 x 21	1700 x 2025	1790 x 2093	150

Other module sizes and special sizes are available on request.

*At 90 degree opening door loss 45 mm from the clear opening.

**Only painted doors.

CLASSIFICATIONS

The door type is tested by RISE Research Institutes of Sweden AB and certified by RISE Certifiering and SBSC Svensk Brand- och Säkerhetscertifiering AB. It is manufactured under the control of RISE and SBSC.

Fire rating: A60 option EI30 and A120.

Sound reduction: Rw 38, 43, 48*, 50*, 53** dB.

*Only single leaf doors.

**Single leaf door manufactured as tandem door.

Fire gas seal: Option EN 13501-2 klass S_a och S₂₀₀.

Burglar resistance class: EN 1627 RC 3.

The door is approved for installation both inwards and outwards opening.

Corrosion class: C1-C3 according to EN ISO 12944-2

Doors for external use up to corrosion class C3 are recommended galvanized and ready painted from the factory with stainless steel threshold or in laminated steel panel with stainless steel threshold.

CE marking: SS-EN 14351-1 and EN 16034.

Daloc Y33 (for external use) is CE-marked in accordance with the Building Products Directive and product standard for external doors EN 14351-1 and EN 16034 if fire resistance properties are present.

The CE decal at the rear edge of the door leaf reports the following properties, tested by RISE:

Fire resistance: EI₂₀/EW60 alt EI₂₀/EW60.

Fire gas seal: S_a alt S₂₀₀

Self-closing: C5

Resistance to wind load: Class 5B

Water-tightness: Class 7B/npd*

Emission of hazardous substances: Approved

Sound reduction:	Rw 35 ^(C=-3;Ctr=-6) dB.
	Rw 38 ^(C=-2;Ctr=-6) dB, ^(C=-2;Ctr=-5) for double leaf doors.
	Rw 43 ^(C=-2;Ctr=-7) dB, ^(C=-2;Ctr=-5) for double leaf doors.
	Rw 48 ^(C=-1;Ctr=-4) dB.
	Rw 50 ^(C=-1;Ctr=-5) dB.
U-value single leaf door:	1,4-1,7
U-value double leaf door	2,4
Air tightness:	class 4

*No performance determined (npd) applies to inward opening installation where the water-tightness has not been assessed.

DOOR LEAF

Design: The door leaf is 58 mm thick, has a thick rolled seam edge, and consists of steel panels folded with concealed edge profiles at the door leaf edge. Bonded and riveted.

Material: 1 mm steel panels and mineral wool insulation.

Surface treatment: The door leaf is supplied pre-painted in one of our standard colours from factory or with wood patterned laminated steel panel from the standard range. Other NCS colours or wood patterns are available on request.

Doors for external use up to corrosion class C3 are recommended galvanized and pre-painted from the factory with stainless steel threshold or in laminated steel panel with stainless steel threshold.

FRAME

Design: The door is supplied as standard with white painted frame type 41, which forms an architrave on the opening face. The frame is supplied assembled, with no loose parts. The seal is placed in a groove in the frame. Several different types of frame are available: with architrave on the opening face (type 41), architrave on both sides (type 44-49) or without architrave (type 42).

Insulation: Supplied insulated with mineral wool from the factory

Installation: Quick installation and fixing through the frame's adjustable frame screws (Hexagonal key).

THRESHOLD

Daloc S33 is supplied with a galvanized bevelled threshold bar. Can be ordered with threshold plate combined with drop strip (sound reduction Rw 38dB for single leaf doors and 33dB for double leaf doors) or threshold plate, brush strip or drop seal threshold (not tested for sound reduction). It can also be fitted with hardwood thresholds (fire rating EI30).

STANDARD FITTINGS

Lock case Assa 510. Note! S33 requires a double cylinder according to SS 3522 class 3 or an oval cylinder with approved cylinder fittings. A=58 mm, B=33/24 mm single door/double door at outward opening door. Galvanized adjustable fixed pin hinges. Security bolt in striking plate and double dog bolts in rear edge. A/B measurements apply only to Assa Connect and Assa Module locks, as regards to other locks please contact Daloc.

OPTIONAL COMPONENTS

Can be supplied with Daloc Linea pattern, letter box (38 dB), door viewer, mechanical bell, key cylinder, kick plate, door closer, electric striking plate, magnetic contact, motorised and microlocks, bolt contact etc. Contact Daloc for additional equipment for S33 with sound reduction Rw 48-50 dB.

When positioning in a location exposed to wind, a door brake is recommended. For inwards opening doors that are exposed to rain, a water deflector at the lower edge is recommended. For outward opening doors that do not have any rain protection, a water deflector on the top edge is recommended.

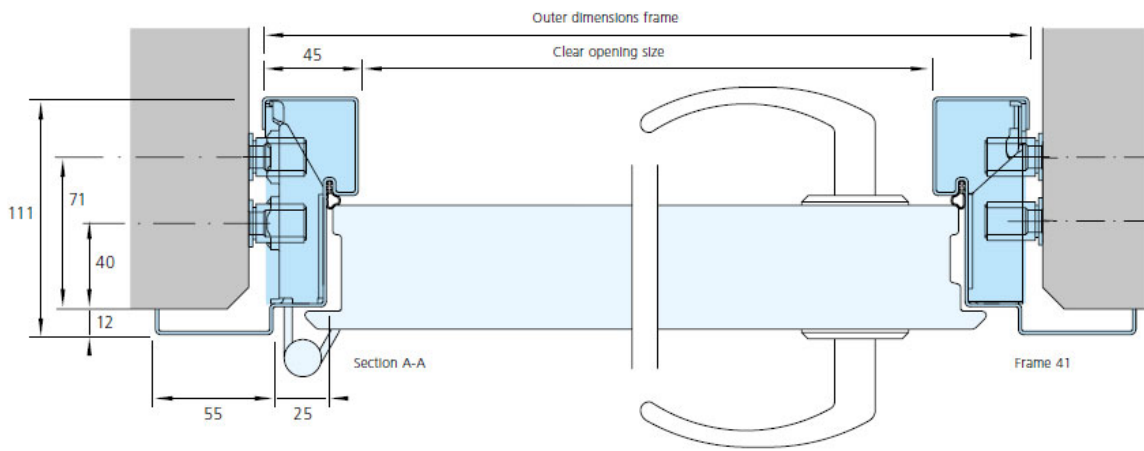
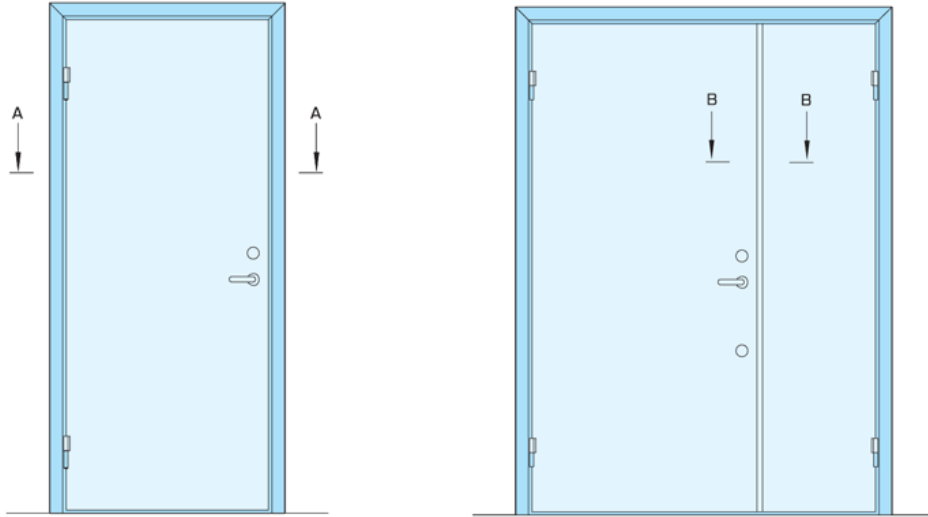


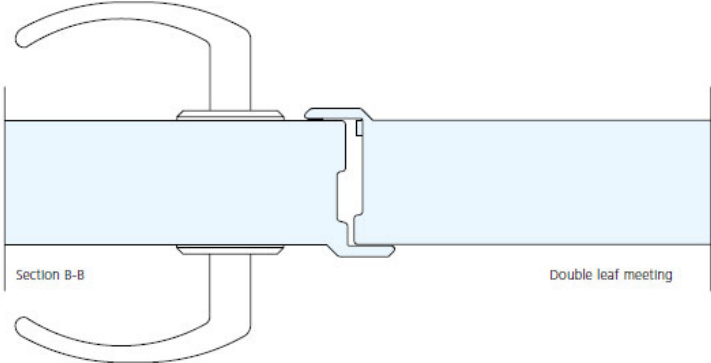
DOUBLE LEAF DOORS

The door leaves and frame are manufactured in the same way as the single leaf door. The passive leaf has an astragal strip and is fitted with two recessed flush bolts as standard. Both door leaves have four dog bolt pins in the edge.

We reserve the right to make modifications to the designs.

DETAIL SKETCHES





PICTURES



The door leaf is bonded without a visible panel edge and with a bevelled rolled edge.



Lock case Assa 510.



Hardened dog bolt pins to hinge edge and hinges with tamper proof pins increase security.