

Daloc S93 (Y93) High security door



High security door S93 is a high security door used where there is a high requirement for mechanical protection. It is burglar, bullet and explosion resistant.

Reference	Clear opening dimensions	Outer dimensions frame	Weight
Single door			
S93 9 x 21	800 x 2025	890 x 2090	130
S93 10 x 21	900 x 2025	990 x 2090	140
S93 11 x 21	1000 x 2025	1090 x 2090	150
S93 12 x 21	1100 x 2025	1190 x 2090	160
Double door			
S93 15 x 21	1400 x 2025	1490 x 2090	220
S93 18 x 21	1700 x 2025	1790 x 2090	250

Other module sizes and special sizes are available on request.

*At 90 degree opening door loss 49 mm from the clear opening.

CLASSIFICATIONS

The door type is tested by RISE Research Institutes of Sweden AB and certified by RISE Certifiering and SBSC Svensk Brand- och Säkerhetscertifiering AB. The bullet resistance has been tested by Nammo Vanäsverken AB and the explosion protection has been tested by Fraunhofer Institut Freiburg. It is manufactured under the control of RISE and SBSC.

Fire rating: A60

Burglar resistance class: EN 1627 RC4.

The door is approved for installation both inwards and outwards opening.

Bullet resistance: Option EN1522 class FB4*

*Single leaf door version.

Explosion protection: Option EN13123-1 class EPR1*

*The single leaf door version is approved for outwards opening installation, i.e opening face = attack face.

Corrosion class: C1-C3 according to EN ISO 12944-2

S93 in corrosion class C2 and Y93 in corrosion class C3 must be painted on site.

CE marking: SS-EN 14351-1.

CE-marked in accordance with the Building Products Directive and product standard for external doors EN 14351-1.

DOOR LEAF

Design: The door leaf is 58 mm thick, roll edged and has steel panels on the facing side with special security reinforcements.

Material: Total of 5 mm steel panels and mineral wool insulation.

Surface treatment: The door is supplied painted as standard.

FRAME

Design: S 93 is supplied as standard with primed frame 31, which forms an architrave on the opening face.

Insulation: Supplied insulated with mineral wool from the factory.

Installation: Quick installation and fixing through the frame's adjustable frame screws (Hexagonal key). The frame can also be welded to an existing steel framework.

THRESHOLD

The door is supplied with a galvanized bevelled threshold bar. Threshold plate, drop strip, brush strip and drop seal thresholds are available to order.

STANDARD FITTINGS

Lock case Assa 510 and 511. Note! Daloc S93 requires a round double cylinder on both locks. A=58 mm, B=31 mm from opening face to centre of lock case. Ball bearing hinges. Three fixed bolts in the rear edge. A/B measurements apply only to Assa Connect and Assa Module locks, as regards to other locks please contact Daloc.

OPTIONAL COMPONENTS

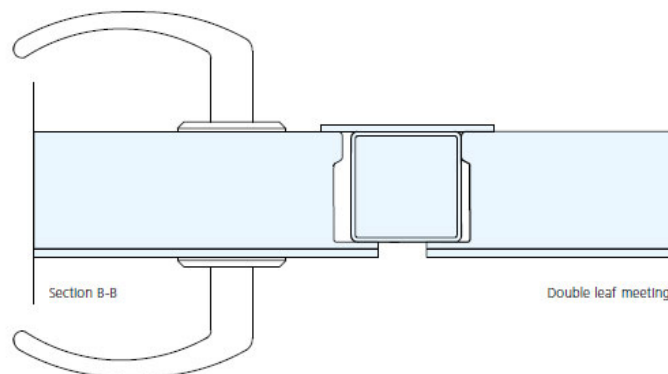
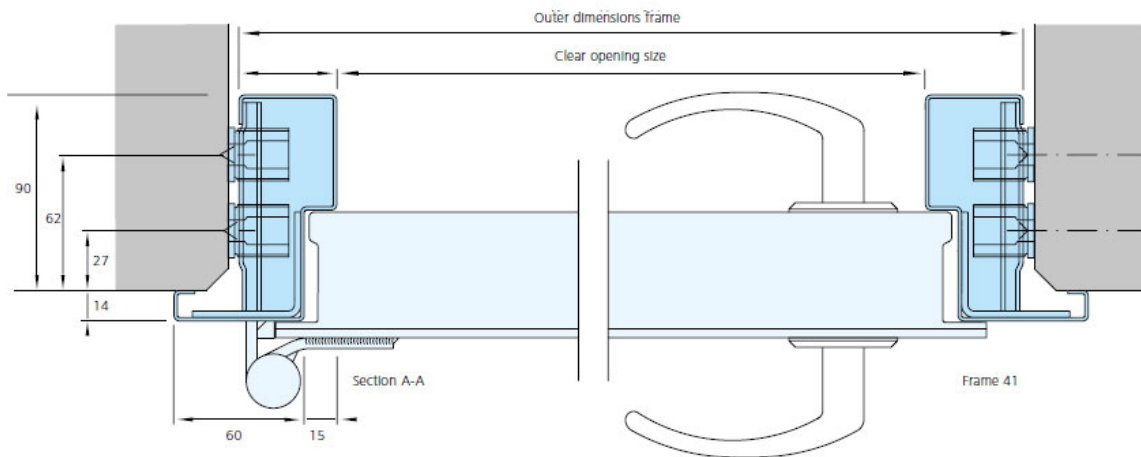
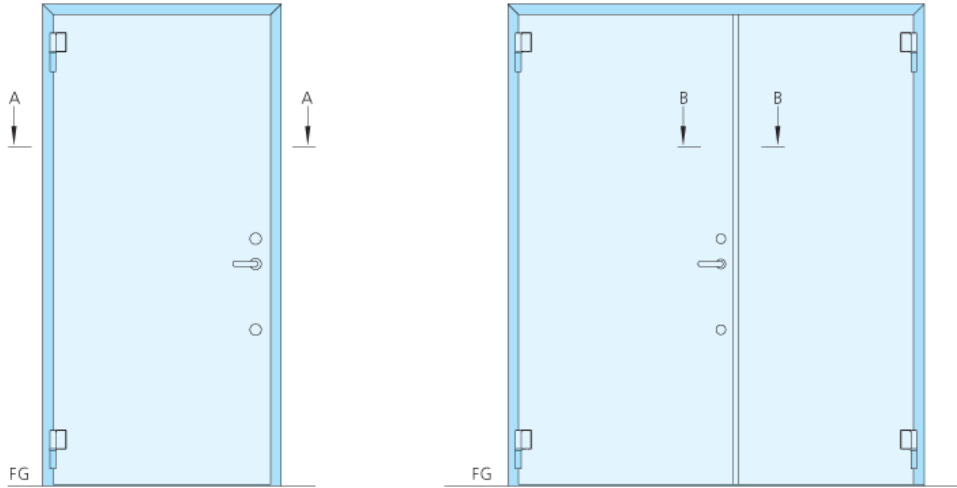
Can be supplied with burglary protection and cylinder protection or separate cylinder protection, door closer, electric striking plate, magnetic contact, motorised and microlocks, bolt contact, water deflector, seal etc.

DOUBLE LEAF DOORS

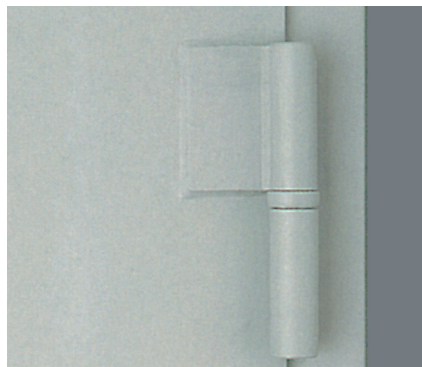
The door leaves and frame are manufactured in the same way as the single leaf door. The inactive leaf has an astragal strip and is fitted as standard with two recessed bolts. When positioning in a location exposed to wind, a door brake is recommended. For inwards opening doors that are exposed to rain, a water deflector at the lower edge is recommended. For outward opening doors that do not have any rain protection, a water deflector on the top edge is recommended.

We reserve the right to make modifications to the designs.

DETAIL SKETCHES



PICTURES



Reinforced ball bearing hinges.



Striking plate with security bolt.



Lock case Assa 510.