

Daloc T21/48 Solid door



| Reference | Clear opening dimensions | Outer dimensions frame | Weight |
|--------------------|--------------------------|------------------------|--------|
| Single door | | | |
| T21 7 x 21 | 600 x 2025 | 690 x 2093 | 42 |
| T21 8 x 21 | 700 x 2025 | 790 x 2093 | 47 |
| T21 9 x 21 | 800 x 2025 | 890 x 2093 | 52 |
| T21 10 x 21 | 900 x 2025 | 990 x 2093 | 57 |
| T21 11 x 21 | 1000 x 2025 | 1090 x 2093 | 62 |
| T21 12 x 21 | 1100 x 2025 | 1190 x 2093 | 67 |
| T21 13 x 21 | 1200 x 2025 | 1290 x 2093 | 72 |
| Double door | | | |
| T21 15 x 21 | 1400 x 2025 | 1490 x 2093 | 82 |
| T21 18 x 21 | 1700 x 2025 | 1790 x 2093 | 96 |

Daloc T21 is a fire and sound rated interior door, suitable for a range of public environments. Wood doors in the Daloc range are equipped with protective edging around the whole door leaf, which both protects and makes it easier to keep them clean and are suitable for use in staff areas, sports halls, schools, hospitals and surgeries.

Other module sizes and special sizes are available on request.

*At 90 degree opening door loss 47 mm (wood frame), 35 mm (steel frame), 53 mm (inset crush protection) from the clear opening.

CLASSIFICATIONS

The door type is tested by RISE Research Institutes of Sweden AB and certified by RISE Certifiering. It is manufactured under the control of RISE.

Fire rating: EI30.

Not available with vision panel.

Sound reduction: Rw 27 dB.

DOOR LEAF

Design: The door leaf is 48 mm thick and has a solid chipboard core with a tough wood surround. The design makes the door leaf durable and rigid as well as creating a pleasant, damped closing sound. The rigidity also means that the door maintains the high sound and fire gas seal over time. Our selection of tough 38x66 mm wood surrounds also gives strong screwed joints for mounting hinges and door closers for example, which contributes to a longer service life.

Material: Core is solid chipboard with surrounding wood frame.

Surface treatment: Laminate doors are clad with 4 mm wood fibre sheet with a surface coating of 0.7 mm thickness laminate sheet from our standard range. Ready painted doors are clad in 5 mm wood fibre sheet and supplied in white as stand-ard. Veneered doors are clad in 4 mm wood fibre sheet with a surface coating of 0.6 mm knife cut veneer of sorted A-quality, available in oak, beech or birch. Other laminate surfaces or NCS colours are available on request.

EDGING

Laminate doors: Supplied as standard with protective edging of 3 mm beech patterned ABS-plastic on four sides. Alternatively, the doors are supplied with ABS-edging in other designs and colours or with solid wood edging.

Painted doors: Supplied with painted protective melamine edging on all edges.

Veneered doors: Supplied with veneered edging on all four edges in the same type of wood as the surface of the door leaf.

FRAME

Design: White painted pine frame 45x92 mm but available to order in frame dimensions 45x68, 45x98, 45x118, 45x122 and 45x145 mm or frame with choice of frame depths 68-250 mm.

Other: Other types of wood, NCS colours and surface treatments are available on request. Where a steel frame is required the door is supplied with Daloc steel frame type 01, 02 or 04-09.

THRESHOLD

The frame is supplied with type H threshold bar but is available to order with type G or type K threshold bar and drop strip*. It is also available with a type B threshold plate or a plastic threshold, but to fulfil the rating requirement the door leaf must then be fitted with a drop strip.

*single leaf door

STANDARD FITTINGS

Lock case Assa 310, A=48 mm, B=23 mm from opening face to centre of lock case. Galvanized fixed pin hinges and adjustable striking plate and seal in the frame. A/B measurements apply only to Assa Connect and Assa Module locks, as regards to other locks please contact Daloc.

OPTIONAL COMPONENTS

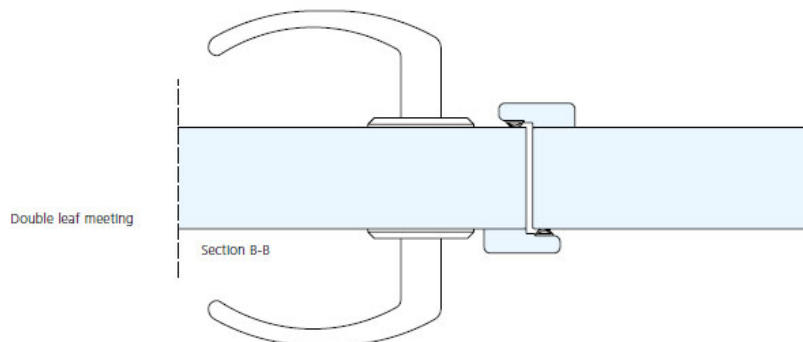
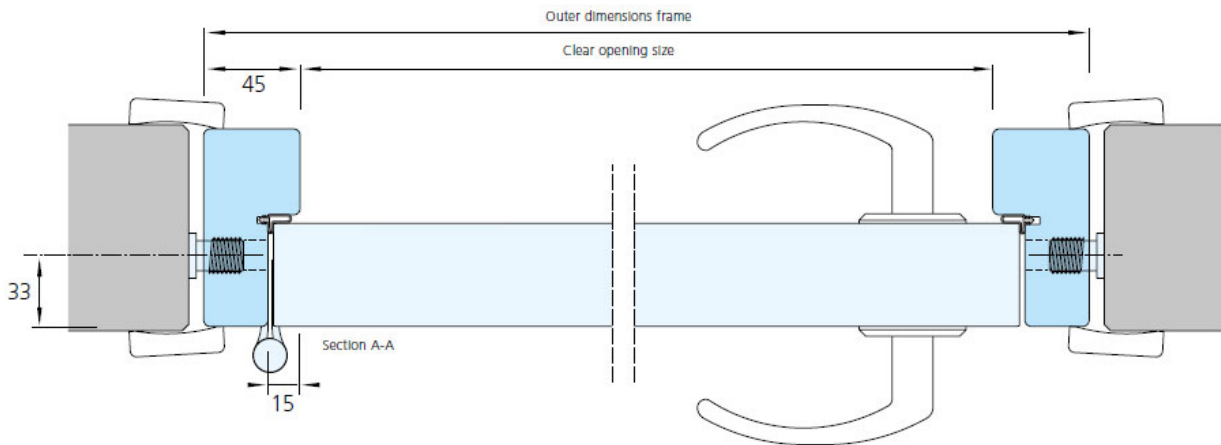
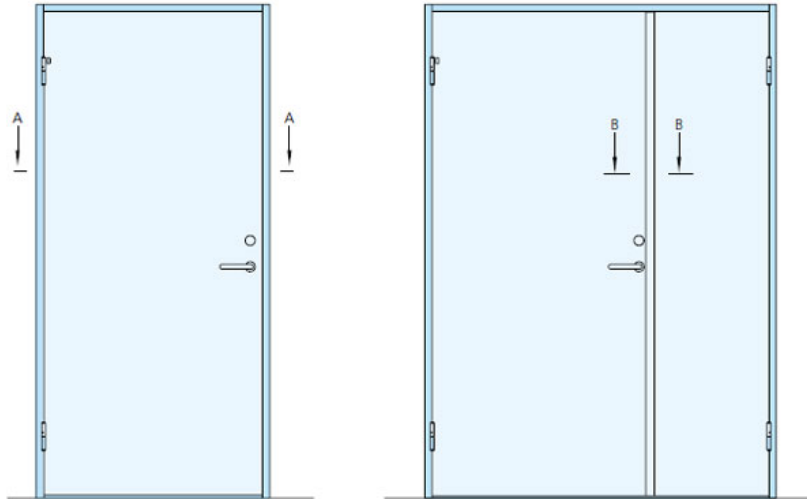
Can be supplied with Daloc Linea pattern, factory fitted frame sleeves, vision panel, steel frame, steel threshold, kick plate, frame protection, finger-crush protection etc.

DOUBLE LEAF DOORS

The door leaves and frame are manufactured in the same way as the single leaf door. The active leaf is fitted with an external astragal mounted on the opening face. It also has an astragal strip on the rabbet side of the passive leaf. The passive leaf is fitted as standard with two recessed flush bolts of the lever arm type.

We reserve the right to make modifications to the designs.

DETAIL SKETCHES



PICTURES



Hardwood threshold.



Striking plate for Assa 310 lock case.

